

# HIKVISION

**DARKFIGHTER**



## DS-2DF8236IX-AEL(W) 2MP Ultra-low Light 36× Network Speed Dome



Hikvision DS-2DF8236IX-AEL(W) 2MP Ultra-low Light 36× Network Speed Dome adopts 1/1.9" progressive scan CMOS chip. With the 36× optical zoom lens, the camera offers more details over expansive areas.

This series of cameras can be widely used for wide ranges of high-definition, such as the rivers, forests, roads, railways, airports, ports, squares, parks, scenic spots, stations and large venues, etc.

### Key Features

- 1/1.9" progressive scan CMOS
- Up to 1920 × 1080 resolution
- Min. Illumination:  
Color: 0.002 Lux @(F1.5, AGC ON)  
B/W: 0.0002 Lux @(F1.5, AGC ON)  
0 Lux with IR
- 36× optical zoom, 16× digital zoom
- WDR, 3D DNR, HLC, Smart IR
- 24 VAC & Hi-PoE
- 200 m IR distance
- Support H.265+/H.265 video compression



[www.hikvision.com](http://www.hikvision.com)

### Specification

<b>Camera Module</b>	
<b>DS-2DF82361X-AEL(W) 2MP Ultra-low Light 36× Network Speed Dome</b>	
Image Sensor	1/1.9" progressive scan CMOS
Min. Illumination	Color: 0.002 Lux @(F1.5, AGC ON) B/W: 0.0002 Lux @(F1.5, AGC ON) 0 Lux with IR
Shutter Time	1/1 s to 1/30,000 s
White Balance	Auto/Manual/ATW (Auto-tracking White Balance)/Indoor/Outdoor/Fluorescent Lamp/Sodium Lamp
AGC	Auto/Manual
Day & Night	IR cut filter
Digital Zoom	16×
Privacy Mask	24 programmable privacy masks
Focus Mode	Auto/Semi-automatic/Manual
3D DNR	Support
BLC	Support
HLC	Support
WDR	Support
Defog	Support
EIS	Support
Regional Exposure	Support
Regional Focus	Support
<b>Lens</b>	
Focal Length	5.7 mm to 205.2 mm, 36× Optical
Zoom Speed	Approx.4.4 s (optical lens, wide-tele)
Field of View	Horizontal field of view: 59.8° to 2.0° (wide-tele) Vertical field of view: 32.7° to 1.8° (wide-tele) Diagonal field of view: 66.8° to 3.7° (wide-tele)
Working Distance	10 mm to 1500 mm (wide-tele)
Aperture Range	F1.5 to F4.5
<b>PTZ</b>	
Movement Range (Pan)	360° endless
Pan Speed	Configurable, from 0.1°/s to 210°/s, Preset Speed: 280°/s
Movement Range (Tilt)	From -20° to 90° (Auto-flip)
Tilt Speed	Configurable, from 0.1°/s to 150°/s, Preset Speed: 250°/s
Proportional Zoom	Support
Presets	300
Patrol Scan	8 patrols, up to 32 presets for each patrol
Pattern Scan	4 pattern scans, record time over 10 minutes for each scan
Power-off Memory:	Support
Park Action	Preset/Pattern Scan/Patrol Scan/Auto Scan/Tilt Scan/Random Scan/Frame Scan/Panorama Scan
PTZ Status Display	Support
Preset Freezing	Support
Scheduled Task	Preset/Pattern Scan/Patrol Scan/Auto Scan/Tilt Scan/Random Scan/Frame Scan/Panorama Scan/Dome Reboot/Dome Adjust/Aux Output
<b>Smart Features</b>	
Smart Detection	Face Detection, Intrusion Detection, Line Crossing Detection, Audio Exception Detection, Region Entrance Detection, Region Exiting Detection, Unattended Baggage Detection, Object Removal Detection

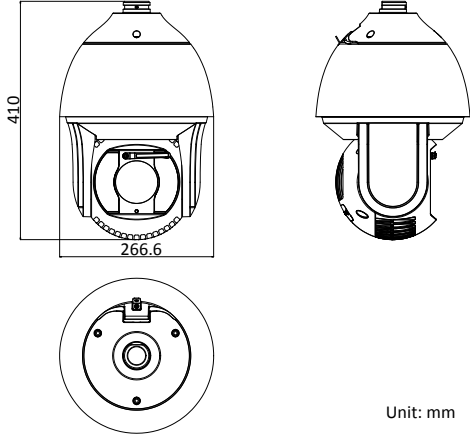
批注 [A1]:

Smart Tracking	Manual Tracking, Auto Tracking, Event Tracking
Smart Record	ANR (Automatic Network Replenishment), Dual-VCA
<b>IR</b>	
IR Distance	200 m
Smart IR	Support
<b>Network</b>	
Max. Resolution	1920 × 1080
Main Stream	50Hz: 25fps (1920 × 1080, 1280 × 960, 1280 × 720) 50fps (1920 × 1080, 1280 × 960, 1280 × 720) 60Hz: 30fps (1920 × 1080, 1280 × 960, 1280 × 720) 60fps (1920 × 1080, 1280 × 960, 1280 × 720)
Sub-Stream/Fourth Stream/Fifth Stream	50Hz: 25fps (704 × 576, 640 × 480, 352 × 288) 60Hz: 30fps (704 × 480, 640 × 480, 352 × 240)
Third Stream	50Hz: 25fps (1920 × 1080, 1280 × 960, 1280 × 720, 704 × 576, 640 × 480, 352 × 288) 60Hz: 30fps (1920 × 1080, 1280 × 960, 1280 × 720, 704 × 480, 640 × 480, 352 × 240)
ROI	Support
SVC	Support
Video Compression	Main Stream: H.265+/H.265/H.264+/H.264 Sub-Stream: H.265/H.264/MJPEG Third Stream: H.265/H.264/MJPEG Fourth Stream: H.265/H.264/MJPEG Fifth Stream: H.265/H.264/MJPEG H.264 with Baseline/Main/High Profile
Audio compression	G.711alaw/G.711ulaw/G.722.1/G.726/MP2L2/PCM
Protocols	IPv4/IPv6, HTTP, HTTPS, 802.1x, Qos, FTP, SMTP, UPnP, SNMP, DNS, DDNS, NTP, RTSP, RTCP, RTP, TCP/IP, DHCP, PPPoE, Bonjour
Simultaneous Live View	Up to 20 channels
User/Host	Up to 32 users 3 levels: Administrator, Operator and User
Security Measures	User authentication (ID and PW), Host authentication (MAC address); HTTPS encryption; IEEE 802.1x port-based network access control; IP address filtering
<b>System Integration</b>	
Alarm Input	7-ch alarm input
Alarm Output	2-ch alarm output
Alarm Linkage	Alarm actions, such as Preset, Patrol Scan, Pattern Scan, Memory Card Video Record, Trigger Recording, Notify Surveillance Center, Upload to FTP/Memory Card/NAS, Send Email, etc.
Audio Input	1-ch audio input
Audio Output	1-ch audio output
Network Interface	1 RJ45 10 M/100 M Ethernet Interface; Hi-PoE
Storage	Built-in memory card slot, support Micro SD/SDHC/SDXC, up to 256 GB; NAS (NPS, SMB/CIFS), ANR
API	Open-ended, support ONVIF, and CGI, support HIKVISION SDK and Third-Party Management Platform
Client	iVMS-4200, iVMS-4500, iVMS-5200, Hik-Connect
Web Browser	IE7+, Chrome18+, Firefox5.0+, Safari5.02+
<b>General</b>	
Power	24 VAC (Max. 60 W) Hi-PoE (Max. 50 W)
Working Temperature	Outdoor: -40°C to 65°C (-40°F to 149°F)
Working Humidity	≤ 90%
Protection Level	IP66 Standard, IK10, TVS 6,000V Lightning Protection, Surge Protection and Voltage Transient Protection
Dimensions(mm)	Φ 266.6 mm × 410 mm (Φ 10.50" × 16.14")
Weight	Approx. 8 kg (17.64 lb)

**Order Model**

DS-2DF8236IX-AEL(W), 24 VAC & Hi-PoE

**Dimensions**



Unit: mm

DRAFT

**Accessories**

	DS-1667ZJ	Extendable Pole for Pendant Mounting Bracket
	DS-1682ZJ	Extendable Pole for Pendant Mounting Bracket
	DS-1663ZJ	Ceiling Mounting Bracket
	DS-1660ZJ	Parapet Wall Mounting Bracket
	DS-1619ZJ	Gooseneck Mounting Bracket
	DS-1673ZJ	Horizontal Pole Mounting Bracket
	DS-1602ZJ-pole	Vertical Pole Mounting Bracket
	DS-1602ZJ-BOX-POLE	Vertical Pole Mounting Bracket with Junction Box
	DS-1602ZJ-corner	Corner Mounting Bracket
	DS-1602ZJ-BOX-CORNER	Wall Mounting Bracket with Junction Box

Distributed by



**Headquarters**  
 No.555 Qianmo Road, Binjiang District,  
 Hangzhou 310051, China  
 T +86-571-8807-5998  
 overseasbusiness@hikvision.com

**Hikvision USA**  
 T +1-909-895-0400  
 sales.usa@hikvision.com

**Hikvision Italy**  
 T +39-0438-6902  
 info.it@hikvision.com

**Hikvision Singapore**  
 T +65-6684-4718  
 sg@hikvision.com

**Hikvision South Africa**  
 Tel: +27 (10) 0351172  
 sale.africa@hikvision.com

**Hikvision Europe**  
 T +31-23-55-42-770  
 info.eu@hikvision.com

**Hikvision France**  
 T +33(0)1-85-330-450  
 info.fr@hikvision.com

**Hikvision Oceania**  
 T +61-2-8599-4233  
 salesau@hikvision.com

**Hikvision Hong Kong**  
 T +852-2151-1761

**Hikvision Middle East**  
 T +971-4-8816086  
 salesme@hikvision.com

**Hikvision Spain**  
 T +34-91-737-16-55  
 info.es@hikvision.com

**Hikvision Canada**  
 T +1-909-895-0400  
 sales.usa@hikvision.com

**Hikvision Russia**  
 T +7-495-669-67-99  
 saleru@hikvision.com

**Hikvision Poland**  
 T +48-22-460-01-50  
 poland@hikvision.com

**Hikvision Korea**  
 T +82-31-731-8841  
 sales.korea@hikvision.com

**Hikvision India**  
 T +91-22-28469900  
 sales@pramahikvision.com

**Hikvision UK**  
 T +01628-902140  
 support.uk@hikvision.com

**Hikvision Brazil**  
 T +55 11 3318-0050  
 Latam.support@hikvision.com