

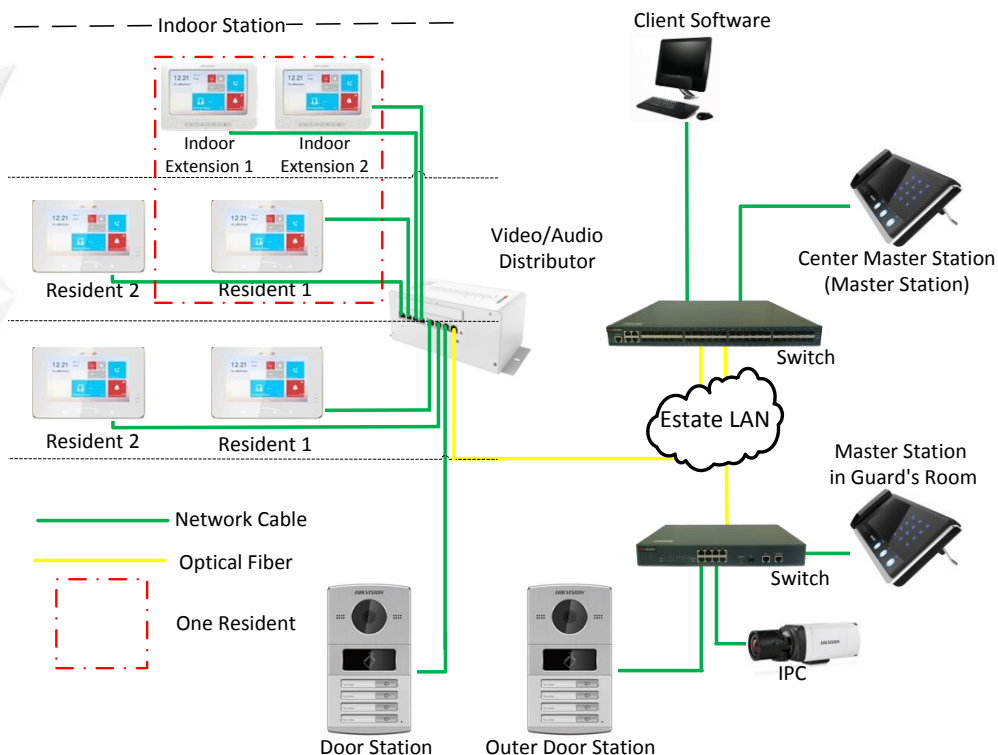
DS-KV8X02-IM Metal Villa Door Station

Key Features

- Video intercom function
- HD video surveillance
(Max. resolution 1280 x 720 @ 25 fps, WDR 120° wide angle)
- Self-adaptive light supplement
- Access control function
- Issues cards via local station function
(This function will be invalid if the card has been activated via iVMS-4200.)
- Auto-uploads captured pictures to FTP or the client while unlocking the door
- Door magnetic alarm and tamper alarm function
- Noise suppression and echo cancellation
- Remote upgrade, and batch configuration functions



Typical Application



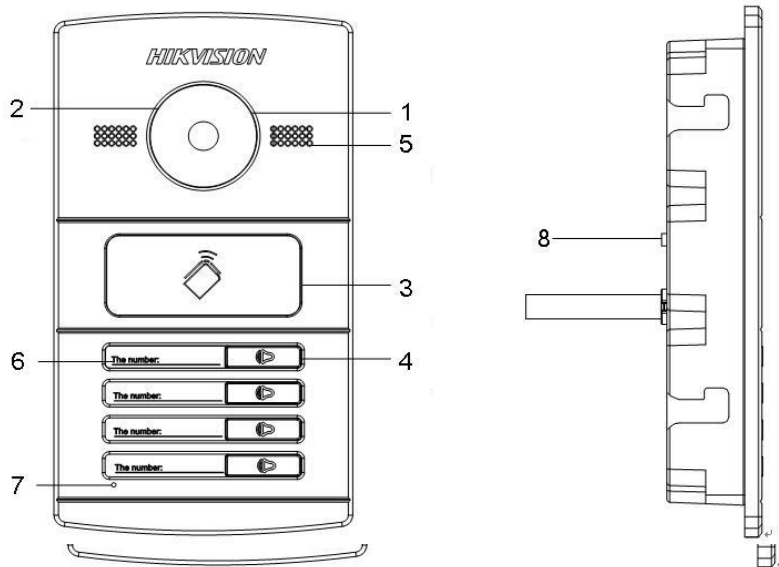
Specifications

Model		DS-KV8102-IM	DS-KV8202-IM	DS-KV8402-IM
System parameters	Processor	High-Performance Embedded SOC Processor		
	Operation system	Embedded Linux Operation System		
Video parameters	Camera	CMOS Low Illumination 1.3 MP HD Colorful Camera		
	Video compression standard	H.264		
	Resolution	1280 × 720		
	Video frame rate	25 fps		
Audio parameters	Audio input	Built-in Omnidirectional Microphone		
	Audio output	Built-in Loudspeaker		
	Audio compression standard	G.711 U		
	Audio compression rate	64 Kbps		
	Audio quality	Noise Suppression and Echo Cancellation		
Access control parameters	Internal card reader	Built-in IC Card Reader		
	Exit button	Exit Button for Opening the Door		
	NO/NC	Support NO/NC Status Settings		
	Door magnetic detection	Detect Door Magnetic Status		
Light supplement	Light supplement mode	IR Supplement		
Network parameters	Ethernet	10/100 Mbps Self-Adaptive Ethernet		
	Network protocol	TCP/IP, SNMP, SIP, RTSP		
Alarm parameters	Alarm input	Door Magnetic Alarm, Tamper Alarm		
Device interfaces	Network interface	1 RJ-45 10/100 Mbps Self-Adaptive Ethernet Interface		
	RS-485	1 RS-485 Half-Duplex Port		
	I/O input	4		
	I/O output	1		
General	Indoor station access amount	1	2	4
	Material	Aluminum Alloy		
	Power supply	24 VDC, Power Over Network Cable (DS-KAD606, DS-KAD612)		
		12 VDC		
	Power consumption	≤12 W		
	Working temperature	-40° C to +70° C (-40° F to 158° F)		
	Working humidity	10% to 90%		
	IP protection level	IP65		
	Dimensions (L × W × H)	182 mm × 100 mm × 33 mm (7.17" × 3.94" × 1.30")		
Certification	FCC, IC, CE, C-TICK, ROHS, REACH, WEEE			

Available Models

DS-KV8102-IM, DS-KV8202-IM, DS-KV8402-IM

Appearance and Interfaces



Index	Description	Index	Description
1	Low Illumination Supplement Light	5	Loudspeaker
2	Built-in Camera	6	Room No. (Customized)
3	Card Induction Area	7	Microphone
4	Calling Button	8	TAMPER

Distributed by



Headquarters

No.555 Qianmo Road, Binjiang District,
Hangzhou 310051, China
T +86-571-8807-5998
overseasbusiness@hikvision.com

Hikvision USA
T +1-909-895-0400
sales.usa@hikvision.com

Hikvision Europe
T +31-23-5542770
saleseuro@hikvision.com

Hikvision Middle East
T +971-4-8816086
salesme@hikvision.com

Hikvision Russia
T +7-495-669-67-99
saleru@hikvision.com

Hikvision India
T +91-22-28469900
sales@pramahikvision.com

Hikvision Italy
T +39-0438-6902
info.it@hikvision.com

Hikvision France
T +33(0)1-85-330-444
info.fr@hikvision.com

Hikvision Spain
T +34-91-737-16-55
info.es@hikvision.com

Hikvision Poland
T +48-22-460-01-50
poland@hikvision.com

Hikvision UK
T +44-1628-9021-4
support.uk@hikvision.com

Hikvision Singapore
T +65-6684-4718
sg@hikvision.com

Hikvision Oceania
T +61-2-8599-4233
salesau@hikvision.com

Hikvision Hong Kong
T +852-2151-1761

Hikvision Canada
T +1-909-895-0400
sales.usa@hikvision.com